



MILWAUKEE BREWERS TECHNOLOGY UPGRADE DRAWING PACKAGE

AMERICAN FAMILY FIELD

JUNE 24, 2024

PART 1 OF 2

**ANTHONY
JAMES
PARTNERS**

REVISIONS
BY
DATE
NO.



**ANTHONY
JAMES
PARTNERS**
3900 WESTERRE PARKWAY,
SUITE 300, RICHMOND VA 23233
804.727.0070

CONFIDENTIAL
THIS DOCUMENT CONTAINS PROPRIETARY
INFORMATION, AND AS SUCH INFORMATION
MAY NOT BE DISCLOSED TO OTHERS FOR ANY
PURPOSE, NOR USED FOR MANUFACTURING
PURPOSES WITHOUT WRITTEN PERMISSION
FROM ANTHONY JAMES PARTNERS

PROJECT NAME:
**AMERICAN FAMILY FIELD
BROADCAST CABLING UPGRADE**

SHEET TITLE:
**TITLE PAGE
BROADCAST CABLE**

DATE
June 24, 2024

DRAWN BY
ALEVINE

ENGINEERED BY
ALEVINE

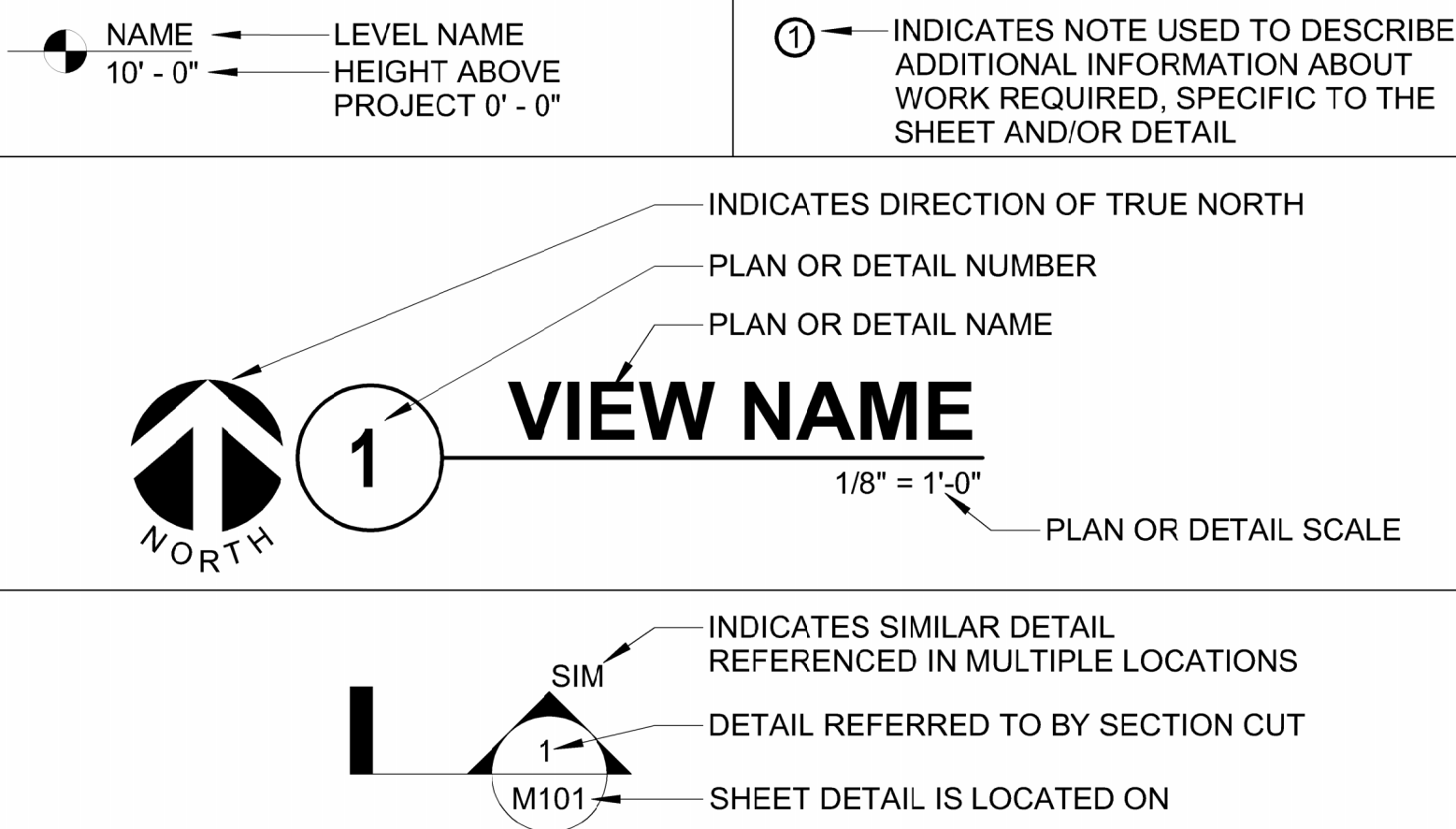
CHECKED BY
MMARTIN

DATE
06.24.24

PROJECT NO.
AFF24-1476

SHEET NO.
BC0.00

VIEW KEY



GENERAL CONDUIT NOTES

- COORDINATE LOCATION OF EQUIPMENT, JUNCTION BOXES, OUTLETS, WIRE WAYS, PANELS, ETC. ACCORDING TO PROJECT GENERAL CONDITIONS.
- PROVIDE STEEL CONDUIT NO LESS THAN 3/4" IN TRADE SIZE UNLESS OTHERWISE NOTED.
- PROVIDE CONDUIT WITH PULL CORD, DEBUR, CLEAN, CAP AND TAG.
- INSTALL CONDUIT MAINTAINING A RADIUS BEND NO LESS THAN 6 TIMES INTERNAL DIAMETER FOR CONDUIT 2" AND SMALLER. NO LESS THAN 10 TIMES INTERNAL DIAMETER FOR CONDUIT LARGER THAN 2".
- ROUTE CONDUIT WITH OTHER BUILDING SERVICES AND CONCEAL WHENEVER POSSIBLE. GROUP CONDUIT AND RUN PARALLEL ALONG A SINGLE BUILDING COLUMN LINE, HOLD TIGHT TO STRUCTURE AND PAINT AS DIRECTED BY THE ARCHITECT.
- PROVIDE A PULL BOX AS REQUIRED IN A CONDUIT RUN SO THAT ANY SEGMENT WITHIN THE RUN IS LESS THAN 100' IN LENGTH, OR IF THE SUMMATION OF BEND RADIUSES WITH A SEGMENT IS GREATER THAN 180 DEGREES.
- SIZE PULL BOX SO THAT IT'S LENGTH IS NO LESS THAN 8 TIMES THE DIAMETER OF THE LARGEST CONDUIT AND THE WIDTH IS NO LESS THAN 1/4 THE LENGTH.
- PROVIDE BLANK COVERS FOR ROUGH-IN BOXES WITHOUT PLATES. PROVIDE TEMPORARY LABELING ON BLANK COVERS DESCRIBING SYSTEM SERVED.

CONDUIT KEYNOTES LEGEND

- | | |
|------------------|------------------|
| ① 3/4" CONDUIT | ② 2" CONDUIT |
| ③ 1" CONDUIT | ④ 2-1/2" CONDUIT |
| ⑤ 1 1/4" CONDUIT | ⑥ 3" CONDUIT |
| ⑦ 1 1/2" CONDUIT | ⑧ 4" CONDUIT |

NOTE: AS STATED ABOVE, ALL CONDUIT NOT HAVING A SIZE ATTACHED IS CONSIDERED 3/4" DIAMETER CONDUIT.

TECHNOLOGY SYMBOLS

SYMBOL:	DESCRIPTION:	NOTE:
JBT ₁	TECHNOLOGY CONNECTION BOX 1	JOSEPH ELECTRONICS SEMI RECESSED JUNCTION BOX 7RU PART # JE JBT162210-PC-S-H-H-S-5 (7RU) (2)2" C BACK TO NEAREST PULL BOX/CABLE TRAY OR EXISTING PATHWAY
JBT ₂	TECHNOLOGY CONNECTION BOX 2	JOSEPH ELECTRONICS SEMI RECESSED JUNCTION BOX 10RU PART # JE JBT22212-PC-S-L-H-S-6 (10RU) (2)2" C BACK TO NEAREST PULL BOX/CABLE TRAY OR EXISTING PATHWAY
JBT ₃	TECHNOLOGY CONNECTION BOX 3	JOSEPH ELECTRONICS SEMI RECESSED JUNCTION BOX 15RU PART # JE JBT312212-PC-S-L-H-S-6 (15RU) (2)2" C BACK TO NEAREST PULL BOX/CABLE TRAY OR EXISTING PATHWAY
MLBN	MLBN CONNECTION BOX	30" x 24" x 8" MLB PROVIDED HOFFMAN BOX 120V/20A POWER MOUNTED INSIDE BOX (1)2" C BACK TO RING CABLE TRAY
MLB	MLB CONNECTION BOX	24" x 24" x 24" MLB PROVIDED HOFFMAN BOX 120V/20A POWER MOUNTED INSIDE BOX (2)2" C BACK TO RING CABLE TRAY
MAP ₁	MLB ACCESS POINT	MLB PROVIDED ACCESS POINT (MOUNT OVERHEAD)
MAP ₂	MLB RIEDEL ACCESS POINT	MLB PROVIDED RIEDEL ACCESS POINT
MPH	MLB DUGOUT PHONES	MLB PROVIDED DUGOUT PHONES (QTY 3)
MCAM ₁	MLBN TELEVATOR CAMERA	MLBN TELEVATOR CAMERA, 120V/20A TERMINATED NEXT TO CAMERA
MCAM ₂	MLB CAMERA	MLB CAMERA, 120V/20A TERMINATED NEXT TO CAMERA
PCLK	MLB PITCH CLOCK	MLB PITCH CLOCK, 120V/20A TERMINATED IN CLOCK
MHIC	MLB INTERCOM	MLB HARDWIRE INTERCOM, 4x4 HOFFMAN BOX

TECHNOLOGY INSTALLATION NOTES:

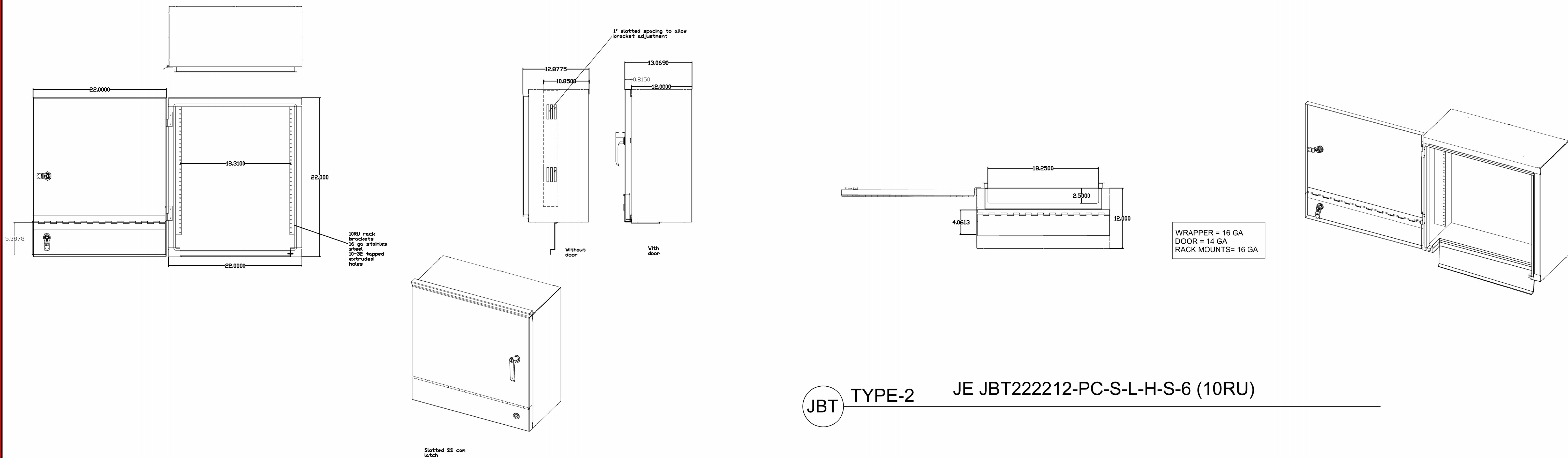
- THE COMPLETE INSTALLATION SHALL BE IN ACCORDANCE WITH THE ADA STANDARDS FOR ACCESSIBLE DESIGN. REFER TO THE ADA GUIDELINES FOR ALL CONFIGURATIONS DETAIL ON THIS PAGE FOR ADDITIONAL INFORMATION.
- CONCEAL ALL CONDUIT IN WALLS, PARTITIONS, ABOVE CEILING, IN FLOOR SLAB, ETC. UNLESS OTHERWISE INDICATED ON THE PLANS OR IN THE SPECIFICATIONS. CONDUIT IN MECHANICAL ROOMS AND STORAGE ROOMS WITHOUT CEILINGS MAY BE EXPOSED ON BUILDING STRUCTURE.
- BOXES LOCATED ON OPPOSITE SIDES OF NON-RATED WALLS SHALL BE OFFSET A MINIMUM OF 6" HORIZONTALLY. BOXES ON OPPOSITE SIDES OF FIRE RATED WALLS SHALL BE OFFSET A MINIMUM OF 24" HORIZONTALLY. "THRU-THE-WALL" BOXES SHALL NOT BE ALLOWED WITHOUT PRIOR WRITTEN APPROVAL OF THE ARCHITECT/ENGINEER.
- VERIFY ALL FURNITURE, MODULAR FURNITURE, AND EQUIPMENT LOCATIONS WITH ARCHITECTURAL PLANS, ELEVATIONS, AND REVIEWED SHOP DRAWINGS. THIS SHALL OCCUR PRIOR TO MAKING THE ACTUAL TELECOMMUNICATIONS INSTALLATION, ADJUST OUTLETS OR CONNECTION LOCATIONS TO ACCOMMODATE FURNITURE AND/OR EQUIPMENT.
- FLUSH MOUNT ALL TELECOMMUNICATIONS OUTLETS AT +18" FROM FLOOR (CENTERLINE DIMENSION), EXCEPT WHERE OTHERWISE NOTED. OUTLETS MAY BE SURFACE MOUNTED WHEN CONDUIT IS SPECIFIED EXPOSED.
- TELECOMMUNICATIONS EQUIPMENT SHALL BE MOUNTED TO ALLOW ACCESS TO ELECTRICAL AND MECHANICAL EQUIPMENT. ALL MOUNTING OF TELECOMMUNICATION DEVICES ON EQUIPMENT SUPPLIED BY ANOTHER CONTRACTOR SHALL BE APPROVED IN ADVANCE BY THE OTHER CONTRACTOR.
- ALL MATERIALS USED TO SEAL PENETRATIONS OF FIRE RATED WALLS AND FLOORS SHALL BE TESTED AND CERTIFIED AS A SYSTEM PER ASTM E814 STANDARDS FOR FIRE TESTS OF THROUGH-PENETRATION FIRESTOPS.
- ALL MONITORS, PROJECTORS AND TELECOMMUNICATION FLOOR BOXES SHALL RECEIVE (1) 20A 120V POWER RECEPTACLE UNLESS OTHERWISE NOTED ON THE PLANS OR IN THE SPECIFICATIONS.
- PROVIDE JUNCTION BOX, RECESSED WHERE APPLICABLE, AT EACH SPEAKER OR SPEAKER GROUPING FOR CONDUIT TERMINATION. BOX TO BE WITHIN 2' OF SPEAKERS. SIZE JUNCTION BOX AS REQUIRED FOR CONDUIT ROUTING THROUGH BOX. PROVIDE 3/4" CONDUIT INTERCONNECTING LOUDSPEAKERS WITHIN SAME SPEAKER ZONE.
- ALL LADDER RACK AND CABLE TRAY SIZES ARE AS DEFINED ON THE DRAWINGS. REFER TO SPECIFICATIONS FOR APPROVED MANUFACTURERS AND INSTALLATION REQUIREMENTS, INCLUDING FIRE STOPPING FOR DUCTED CABLE TRAY IF REQUIRED.

GENERAL NOTES:

- ALL SYMBOLS AND ABBREVIATIONS LISTED MAY NOT BE APPLICABLE TO THIS PROJECT. REFER TO THE GENERAL TECHNOLOGY EQUIPMENT SCHEDULE FOR MORE COMPLETE DESCRIPTION AND ITEMS.
- ALL SYMBOLS AND ABBREVIATIONS REFER TO TECHNOLOGY SHEETS ONLY AS DEFINED ON THE SHEET INDEX. REFER TO THE GENERAL TECHNOLOGY NOTES FOR ADDITIONAL INFORMATION.
- ALL INTERIM BOXES AND INTEGRAL POWER POWER OR CONDUIT TO AV PLATES AND FLOORBOXES MAY NOT BE INDICATED.

TECHNOLOGY SYMBOL NOTES:

- REFER TO CABLE SCHEDULE ON XXXX AND CABLE TYPE SCHEDULE ON XXXX FOR ADDITIONAL INFORMATION. SYMBOL SUBSCRIPT INDICATES FLOOR NUMBER-QUADRANT-JUNCTION BOX.
- A CAMERA HEIGHT IDENTIFIES THE HEIGHT FROM THE FLOOR TO THE CENTER OF THE CAMERA LENS. NO HEIGHT REFERS TO MOUNTING THE CAMERA ON THE CEILING. REFER TO THE INDIVIDUAL CAMERA SCHEDULE FOR ADDITIONAL INFORMATION.
- REFER TO XXXX FOR AV PANEL CONNECTION SCHEDULE ALSO REFER TO DETAILS ON XXXX FOR PLATE DETAILS.



JBT TYPE-2 JE JBT22212-PC-S-L-H-S-6 (10RU)

NO.	DATE	BY	REVISIONS



ANTHONY JAMES PARTNERS
3900 WESTERRE PARKWAY,
SUITE 300, RICHMOND VA 23233
804.727.0070

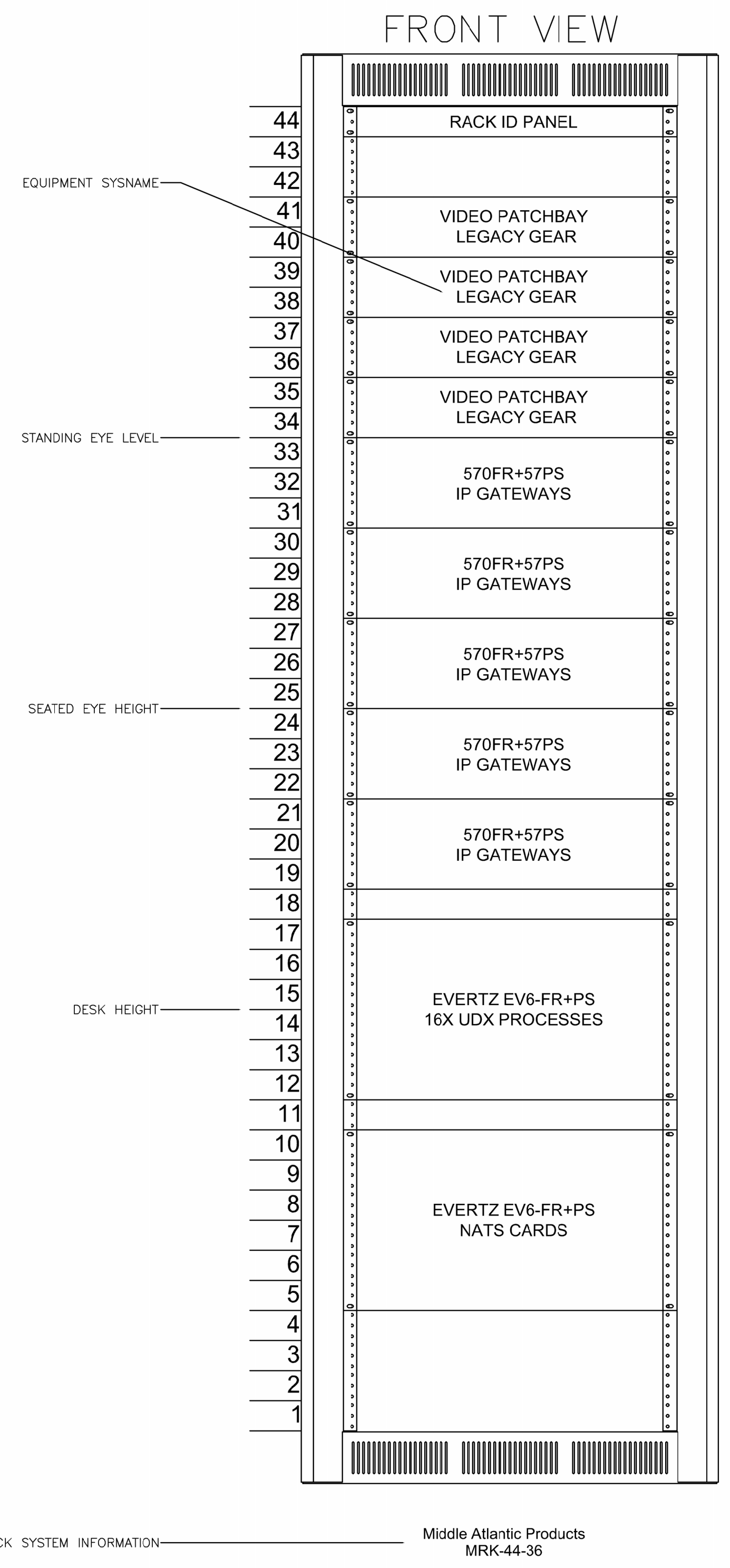
CONFIDENTIAL
THIS DOCUMENT CONTAINS PROPRIETARY INFORMATION, AND AS SUCH INFORMATION MAY NOT BE DISCLOSED TO OTHERS FOR ANY PURPOSE, NOR USED FOR MANUFACTURING PURPOSES WITHOUT WRITTEN PERMISSION FROM ANTHONY JAMES PARTNERS

PROJECT NAME: **AMERICAN FAMILY FIELD**
BROADCAST CABLING UPGRADE
SHEET TITLE: **LEGEND BROADCAST CABLE**

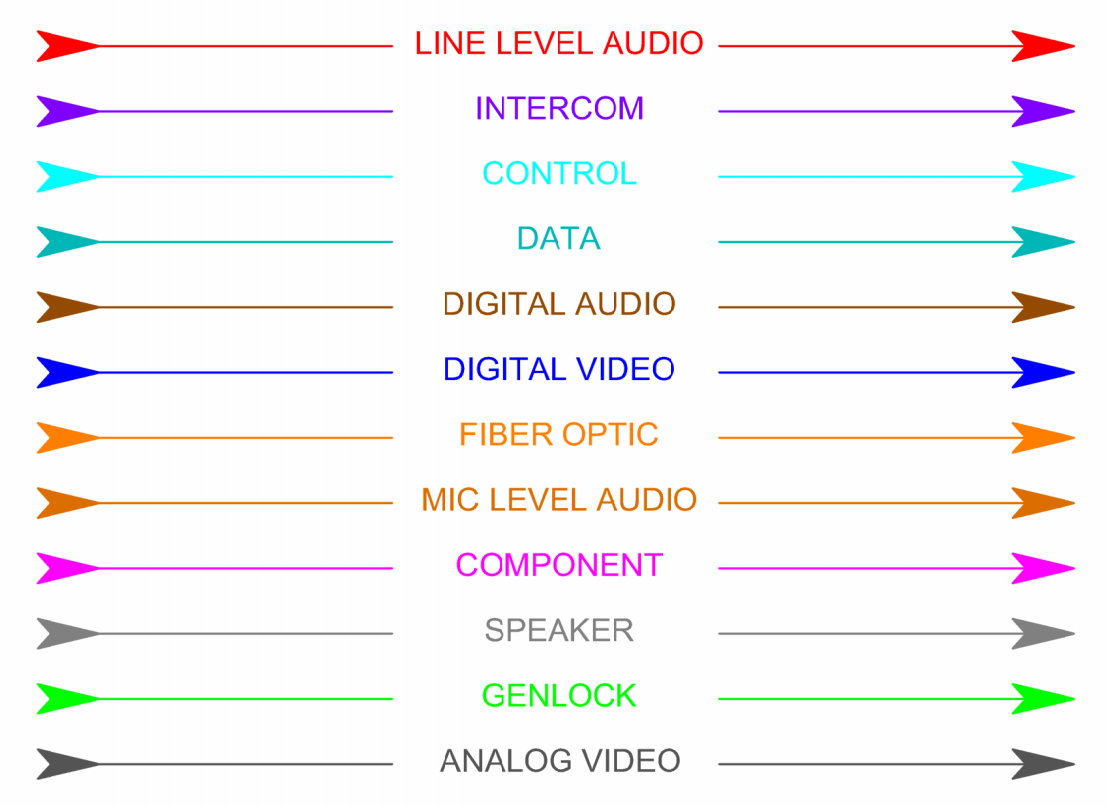
DATE	June 24, 2024
DRAWN BY	ALEVINE
ENGINEERED BY	ALEVINE
CHECKED BY	MMARTIN
DATE	06.24.24
PROJECT NO.	AFF24-1476

SHEET NO. **BC0.02**

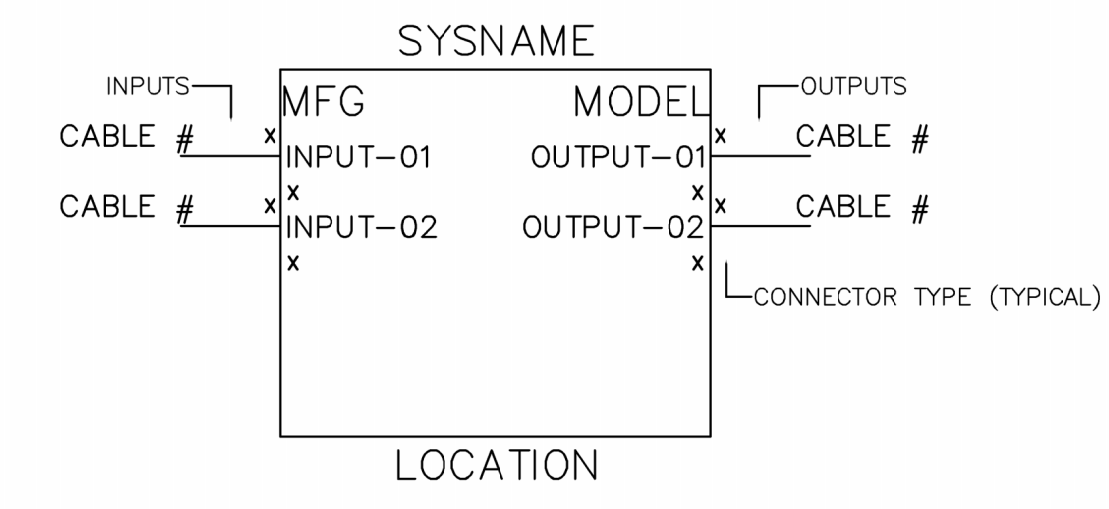
TYPICAL RACK ELEVATION



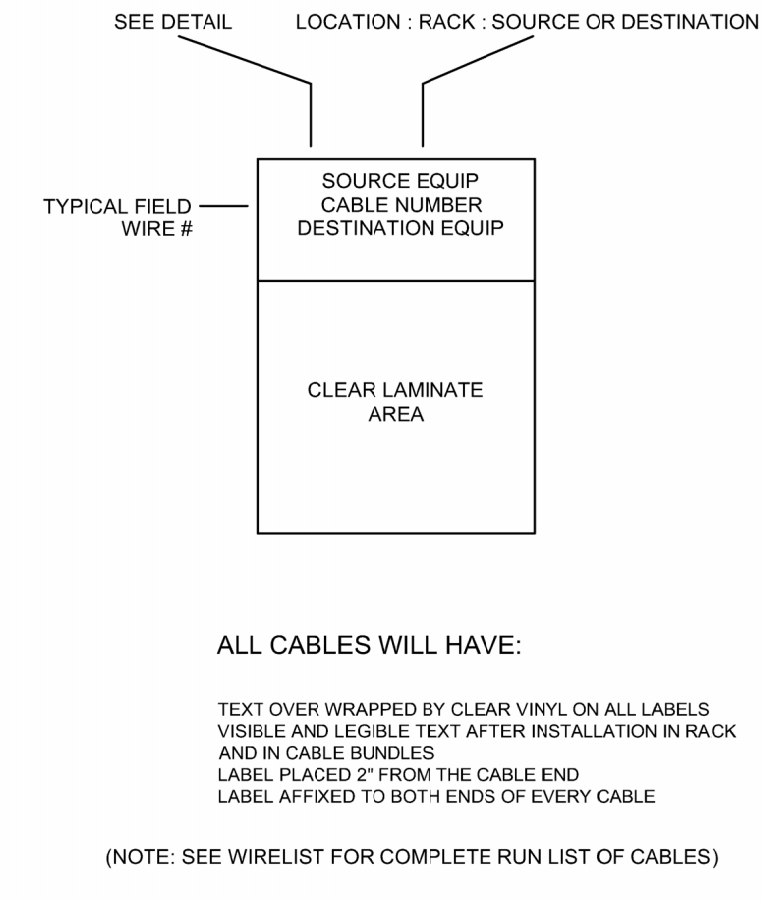
TYPICAL SIGNAL LINE TYPES



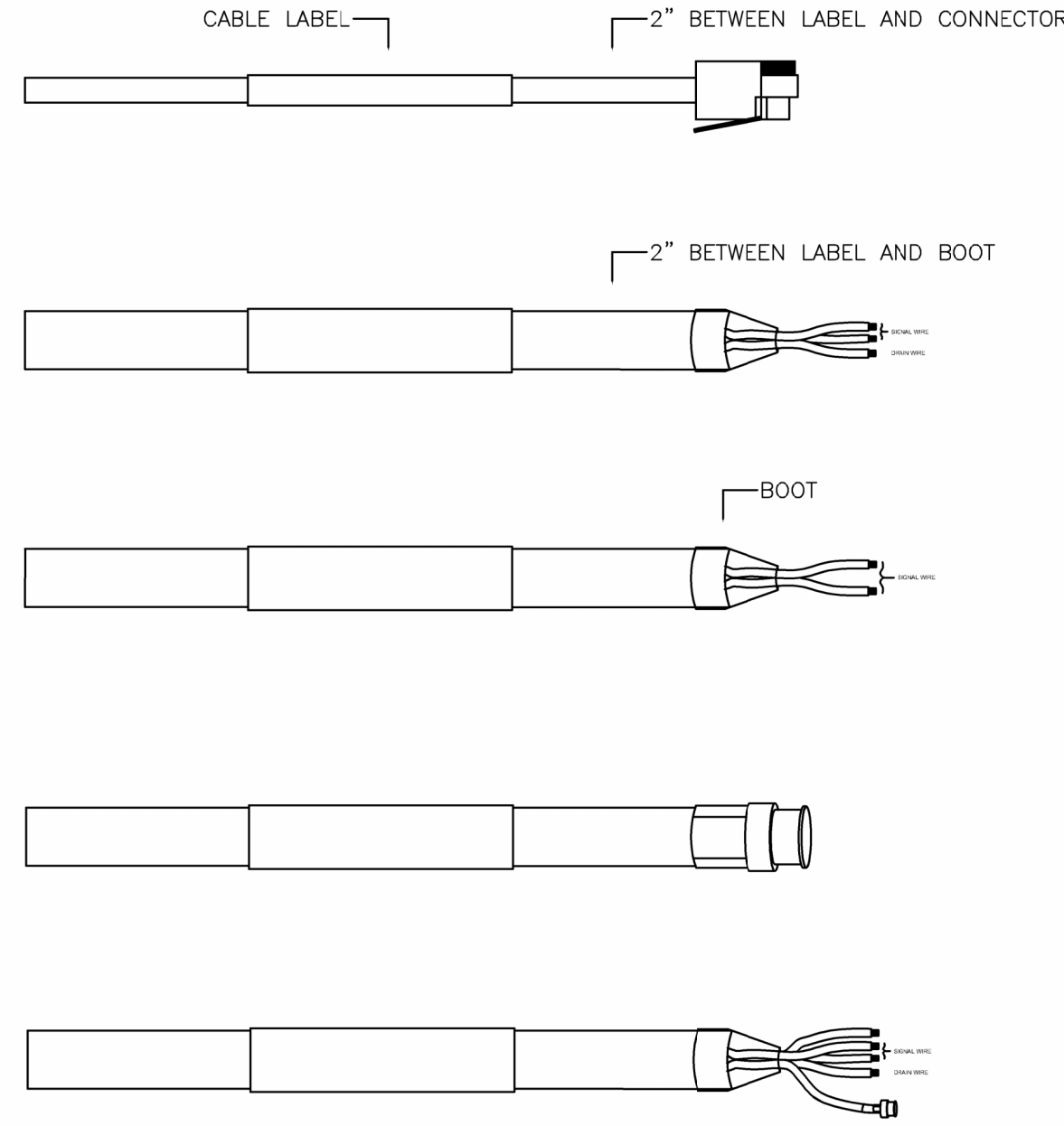
BLOCK LAYOUT



LABEL DETAIL



CABLE TERMINATIONS



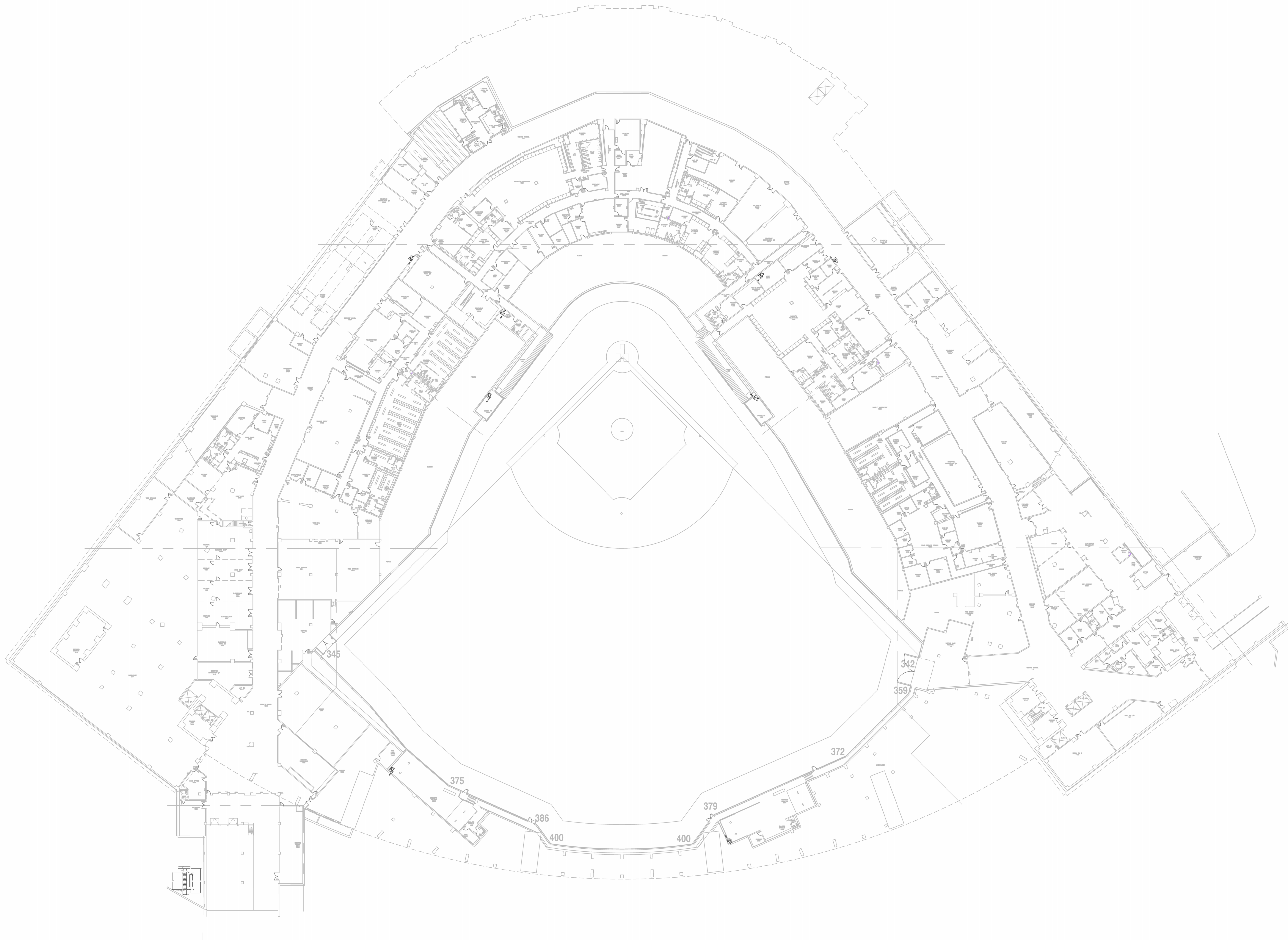
- CABLE LABEL PLACED 2" BACK FROM CONNECTOR OR BOOT
- ALL DRAIN WIRE WILL BE SLEEVED
- ALL EXPOSED WIRES WILL HAVE A BOOT

WIRE TYPE AND ABBREVIATIONS

(NOTE 1)	ABBREVIATION DEFINITION OR SIGNAL TYPES	WIRE TYPE	(NOTE 2)
AES	DIGITAL AUDIO OVER AES FORMAT	22 AWG	100m
ANLG	COMPOSITE VIDEO SIGNAL	RG-59	750'
		RG-6	900'
		RG-11	1200'
ANT	ANTENNA - WIRELESS MIC	RG-213	50'
	ANTENNA - W/ +3db AMPLIFIER	RG-8X	60'
	ANTENNA - WIRELESS MIC	RG-8/U	70'
AUD	ANALOG AUDIO SIGNAL	22 AWG	
AUX	ANALOG AUXILIARY SIGNAL	22 AWG	
BB	BLACK BURST VIDEO SIGNAL	RG-59	750'
		RG-6	900'
CAM	CONNECTION TO/FROM CAMERA	(NOTE 4)	
CCU	CAMERA CONTROL UNIT	(NOTE 4)	
CH	ANALOG AUDIO CHANNEL	22 AWG	
CMPST	COMPOSITE VIDEO SIGNAL	RG-59	750'
		RG-6	900'
		RG-11	1200'
COM	INTERCOM (PRODUCTION)	(NOTE 4)	
CVBS	COMPOSITE VIDEO SIGNAL	RG-59	750'
		RG-6	900'
		RG-11	1200'
DCV	DIGITAL VIDEO SIGNAL	(NOTE 4)	
DM	DIGITAL MEDIA AUDIO/VIDEO/CONTROL SIGNAL	(NOTE 3)	90m
DSPLY	DISPLAY PORT SIGNAL	PREMADE	3m
DVI	DVI VIDEO SIGNAL	PREMADE	25'
EXT	SIGNAL EXTENDER	CAT6	(NOTE 3)
GEN	GENLOCK VIDEO SIGNAL	RG-59	750'
		RG-6	900'
HD/SDI	HD SERIAL DIGITAL INTERFACE PER SMPTE 292M	RG-59	300'
		RG-6	370'
		RG-11	580'
HDMI	HDMI VIDEO/AUDIO SIGNAL	(NOTE 3)	
IR	INFRARED CONTROL SIGNAL	PREMADE	
LAN	ETHERNET	CAT6	90m
LTC	LONGITUDINAL TIMECODE	RG-59	
MIC	MICROPHONE LEVEL AUDIO SIGNAL	22 AWG	
NET	ETHERNET	CAT6	90m
POE	POWER OVER ETHERNET	CAT6	100m
RF	CABLE TELEVISION DISTRIBUTION SIGNAL	RG-59	IN RACK
		RG-6	DROP
		RG-11	DISTRO
		1/2" HARDLINE	TRUNK
RGB	RGBHV VIDEO SIGNAL	PREMADE	25'
SDI	SD SERIAL DIGITAL INTERFACE PER SMPTE 259M	RG-59	1400'
		RG-6	1750'
		RG-11	2750'
SMPTE	SMPTE FIBER	(NOTE 3)	
TLS	TRI-LEVEL SYNC SIGNAL	RG-59	750'
		RG-6	900'
USB	UNIVERSAL SERIAL BUS SIGNAL	PREMADE	
3GSDI	3G SERIAL DIGITAL INTERFACE PER SMPTE 424M	RG-59	200'
		RG-6	250'
		RG-11	390'

NOTES	
1	SIGNAL FLOW SIGNAL TYPE ABBREVIATION
2	CABLE DISTANCE LIMITATION
3	REFER TO SPECIFICATION FOR WIRE TYPE
4	REFER TO SIGNAL FLOWS FOR WIRE TYPE

REVISIONS BY DATE NO.	 ANTHONY JAMES PARTNERS 3900 WESTERRE PARKWAY, SUITE 300, RICHMOND VA 23233 804.727.0070
CONFIDENTIAL THIS DOCUMENT CONTAINS PROPRIETARY INFORMATION, AND AS SUCH INFORMATION MAY NOT BE DISCLOSED TO OTHERS FOR ANY PURPOSE, NOR USED FOR MANUFACTURING PURPOSES WITHOUT WRITTEN PERMISSION FROM ANTHONY JAMES PARTNERS	
PROJECT NAME: AMERICAN FAMILY FIELD BROADCAST CABLING UPGRADE SHEET TITLE: INDEX 1 BROADCAST CABLE	
DATE: June 24, 2024 DRAWN BY: ALEVINE ENGINEERED BY: ALEVINE CHECKED BY: MMARTIN DATE: 06.24.24 PROJECT NO.: AFF24-1476 SHEET NO.: BC0.03	



NO.	DATE	BY	REVISIONS



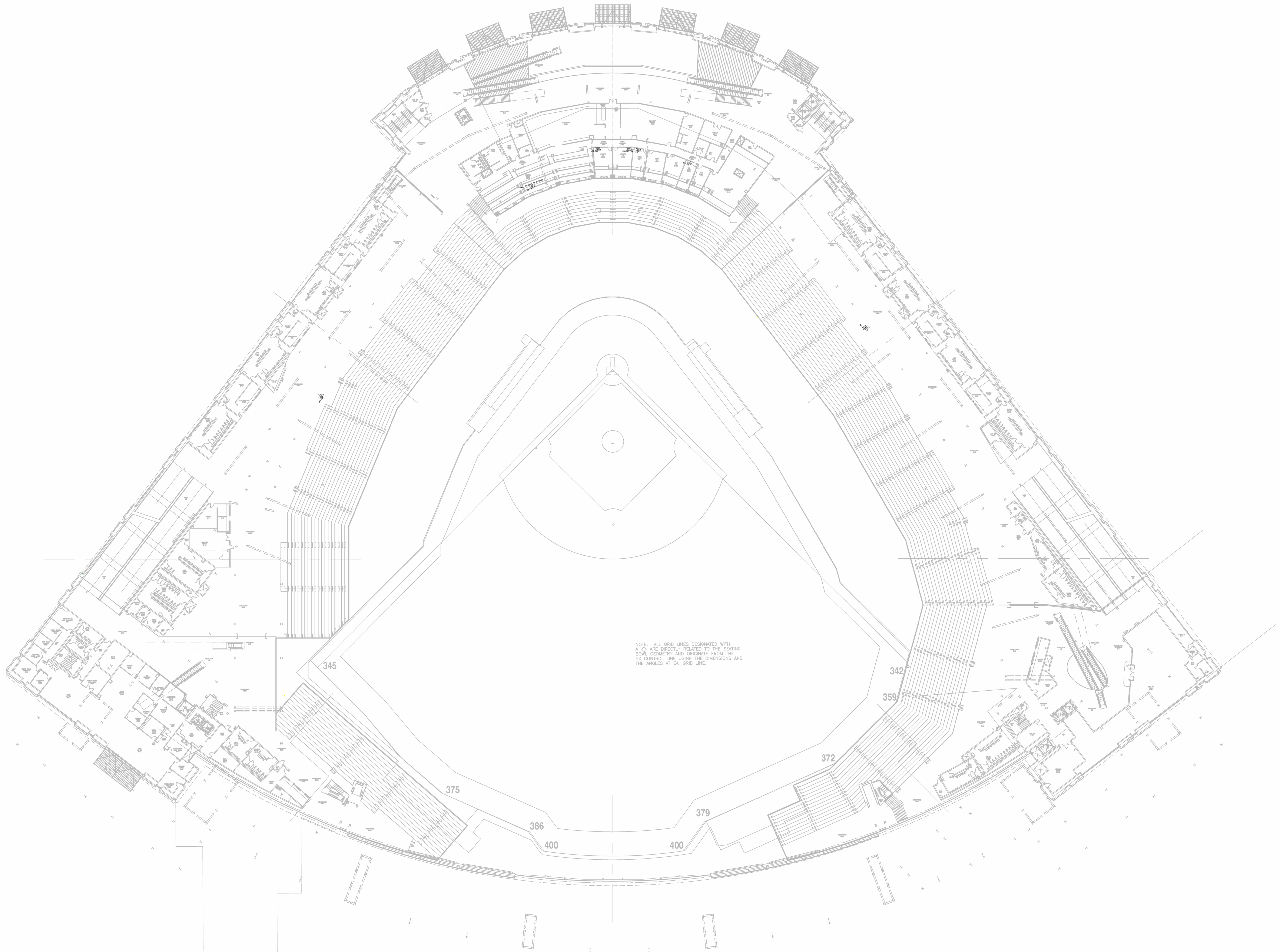
ANTHONY JAMES PARTNERS
 3900 WESTERRE PARKWAY,
 SUITE 300, RICHMOND VA 23233
 804.727.0070

CONFIDENTIAL
 THIS DOCUMENT CONTAINS PROPRIETARY INFORMATION, AND AS SUCH INFORMATION MAY NOT BE DISCLOSED TO OTHERS FOR ANY PURPOSE, NOR USED FOR MANUFACTURING PURPOSES WITHOUT WRITTEN PERMISSION FROM ANTHONY JAMES PARTNERS

PROJECT NAME: **AMERICAN FAMILY FIELD**
 BROADCAST CABLING UPGRADE
 SHEET TITLE: **SERVICE LEVEL**
 PLAN VIEW

DATE: June 24, 2024
 DRAWN BY: ALEVINE
 ENGINEERED BY: ALEVINE
 CHECKED BY: MMARTIN DATE: 06.24.24
 PROJECT NO.: AFF24-1476

SHEET NO.: **BC1.00**



NO.	DATE	BY	REVISIONS



ANTHONY JAMES PARTNERS
 3900 WESTERRE PARKWAY,
 SUITE 300, RICHMOND VA 23233
 804.727.0070

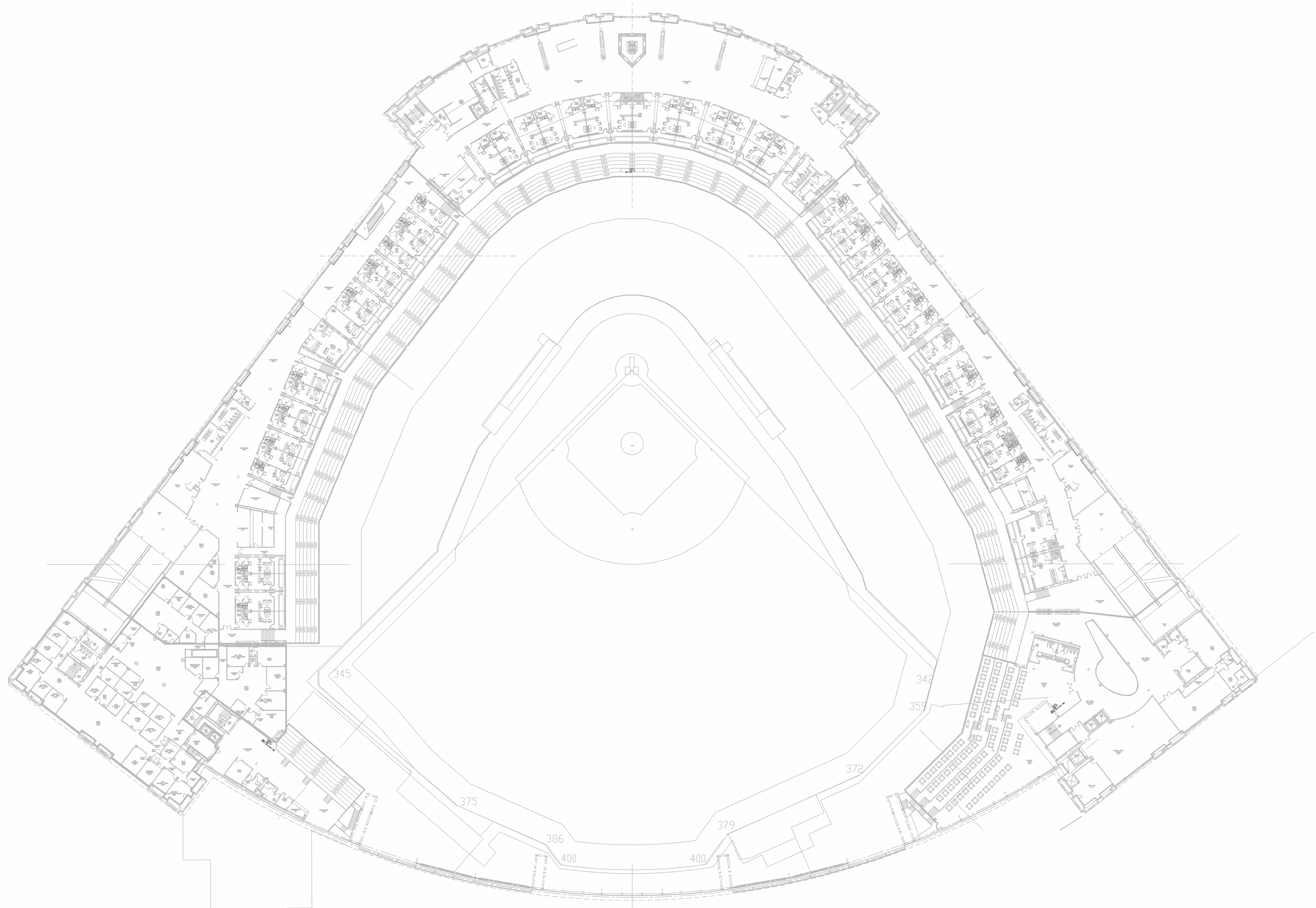
CONFIDENTIAL
 THIS DOCUMENT CONTAINS PROPRIETARY INFORMATION, AND AS SUCH INFORMATION MAY NOT BE DISCLOSED TO OTHERS FOR ANY PURPOSE, NOR USED FOR MANUFACTURING PURPOSES WITHOUT WRITTEN PERMISSION FROM ANTHONY JAMES PARTNERS

PROJECT NAME: AMERICAN FAMILY FIELD
BROADCAST CABLING UPGRADE

SHEET TITLE: LOGE LEVEL PLAN VIEW

DATE June 24, 2024	
DRAWN BY ALEVINE	
ENGINEERED BY ALEVINE	
CHECKED BY MMARTIN	DATE 06.24.24
PROJECT NO. AFF24-1476	

SHEET NO.
BC1.02



NO.	DATE	BY	REVISIONS



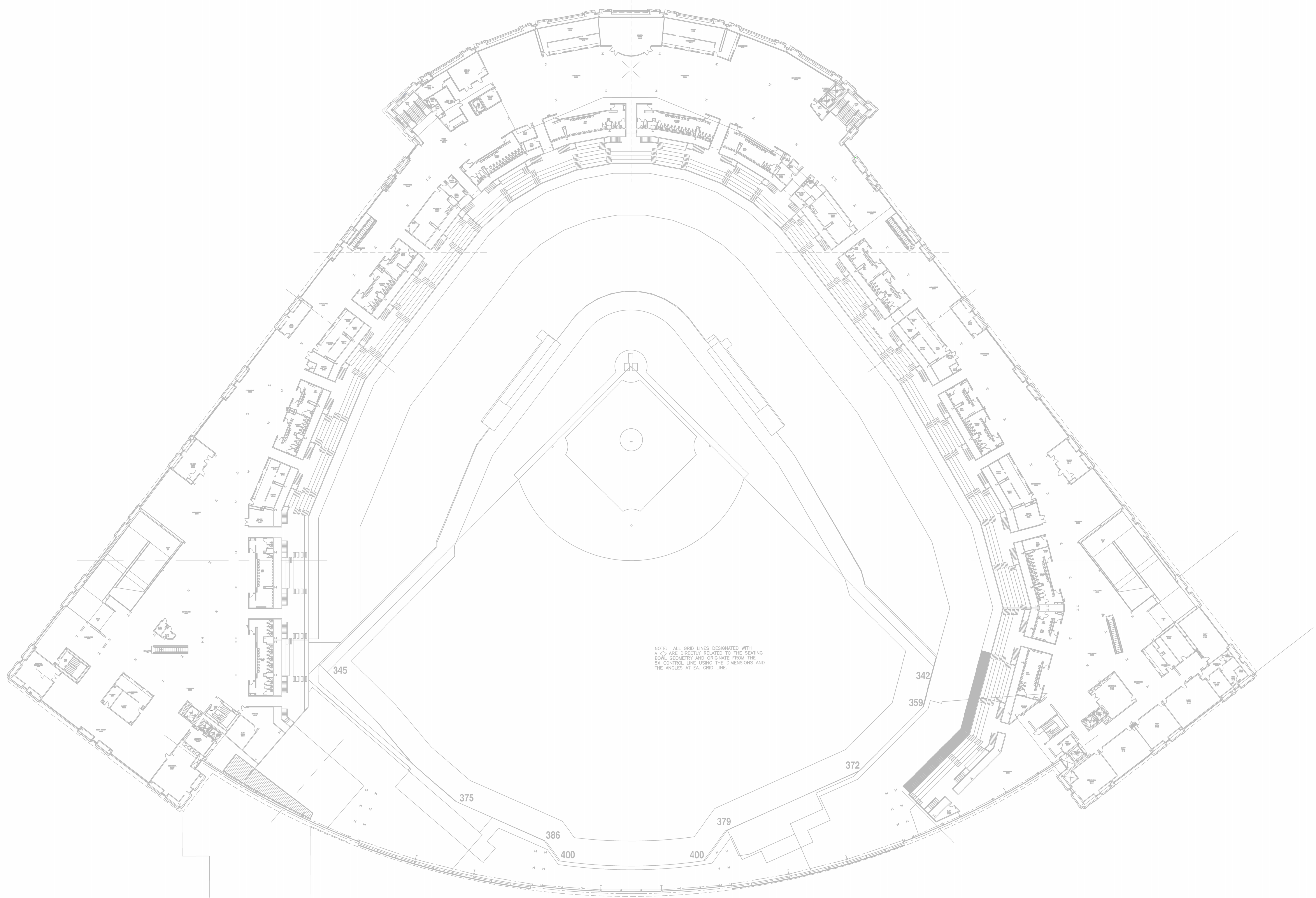
ANTHONY JAMES PARTNERS
 3900 WESTERRE PARKWAY,
 SUITE 300, RICHMOND VA 23233
 804.727.0070

CONFIDENTIAL
 THIS DOCUMENT CONTAINS PROPRIETARY INFORMATION, AND AS SUCH INFORMATION MAY NOT BE DISCLOSED TO OTHERS FOR ANY PURPOSE, NOR USED FOR MANUFACTURING PURPOSES WITHOUT WRITTEN PERMISSION FROM ANTHONY JAMES PARTNERS

PROJECT NAME: **AMERICAN FAMILY FIELD**
 BROADCAST CABLING UPGRADE
 SHEET TITLE: **CLUB LEVEL**
 PLAN VIEW

DATE: June 24, 2024
 DRAWN BY: ALEVINE
 ENGINEERED BY: ALEVINE
 CHECKED BY: MMARTIN DATE: 06.24.24
 PROJECT NO.: AFF24-1476

SHEET NO.: **BC1.03**



NO.	DATE	BY	REVISIONS



ANTHONY JAMES PARTNERS
 3900 WESTERRE PARKWAY,
 SUITE 300, RICHMOND VA 23233
 804.727.0070

CONFIDENTIAL
 THIS DOCUMENT CONTAINS PROPRIETARY INFORMATION, AND AS SUCH INFORMATION MAY NOT BE DISCLOSED TO OTHERS FOR ANY PURPOSE, NOR USED FOR MANUFACTURING PURPOSES WITHOUT WRITTEN PERMISSION FROM ANTHONY JAMES PARTNERS

PROJECT NAME: **AMERICAN FAMILY FIELD**
 BROADCAST CABLING UPGRADE
 SHEET TITLE: **TERRACE CONCOURSE**
 PLAN VIEW

DATE: June 24, 2024
 DRAWN BY: ALEVINE
 ENGINEERED BY: ALEVINE
 CHECKED BY: MMARTIN DATE: 06.24.24
 PROJECT NO.: AFF24-1476

SHEET NO.: **BC1.04**